

## Usher in a new era of sustainability



smart business partner

### Less CO<sub>2</sub> Emissions

Sharp's eco-friendly approach to manufacturing reduces CO<sub>2</sub> emissions during the printer's lifecycle. A smaller, lighter printer design means fewer parts and less CO<sub>2</sub> in production. And low-temperature fusing brings best-in-class power consumption and less CO<sub>2</sub> during use.

### Saves on Resources

Recycled plastic makes up approximately 50% of the total plastic used in the printer's main body. Using less new material helps to reduce the environmental impact of manufacturing. Plastic waste is further reduced by using recyclable corrugated cardboard and other such eco-friendly paper materials instead of polystyrene foam for the packaging.

### 4.0-inch Colour LCD Touchscreen

Operating the printer is easy and intuitive with the 4.0-inch colour LCD touchscreen.

### Ample Paper Capacity

A 250-sheet tray and a 50-sheet multi-bypass tray come standard. An optional 500-sheet paper feed unit is available for a total paper capacity of 800 sheets.

### Easy Document Retrieval

Printouts are output at the front of the printer, making them easy to retrieve.

### Space-saving Design

With its small footprint\*<sup>1</sup> of 410 × 410 mm, this printer will easily find a niche in your SOHO or larger office. Simply place it on a desk, under a counter, or anywhere that space is limited.

### Blends into Office Space

The light grey colour of the printer harmonises with Sharp's higher-end MFPs, which usually stand by a wall. The calming hue complements any office atmosphere and allows the printer to blend in seamlessly when it's placed next to a desk.

### Link Mobile Devices

Mobile devices installed with the Sharpdesk Mobile app\*<sup>2</sup> can connect directly to the printer for printing data. The printer can also be equipped with the Sharp Print Service Plugin.

### Wireless LAN Connection

Built-in wireless connectivity enables easy access from mobile devices and flexible printer placement. The printer also supports Wi-Fi Direct® and Wi-Fi Protected Setup™.

### Solid Security

A range of security features help to keep your information safe, whether it's on the printer or over your network. These include data encryption/erasure, TLS 1.3 support, and user authentication via IC cards\*<sup>3</sup>.

\*1: "Footprint" refers to the part directly adjacent to the floor or desk space. The numerical value is for the printer's base unit only.

\*2: Availability varies by country/region.

\*3: IC card authentication requires a third-party card reader.

## SPECIFICATIONS

### General

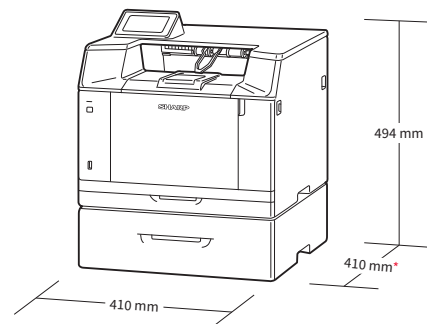
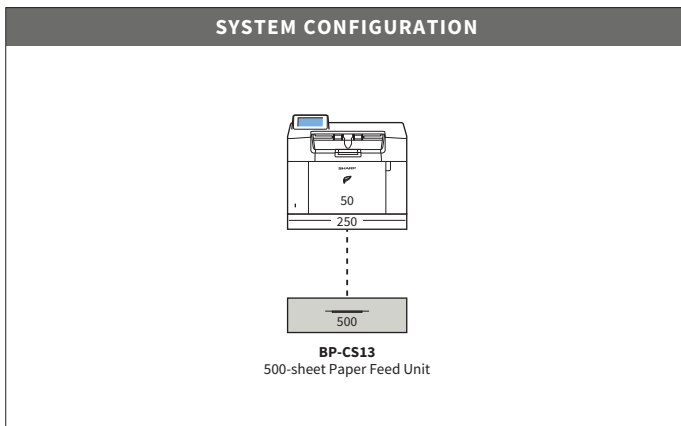
Type	Desktop
Engine speed	A4 (8 1/2" x 11")* <sup>1</sup> : Max. 31 ppm
Control panel display	4.0-inch colour LCD touchscreen
Paper size	Max. A4 (8 1/2" x 11"), min. A6 (5 1/2" x 8 1/2")
Paper capacity (80 g/m <sup>2</sup> )	Standard: 300 sheets (250-sheet tray and 50-sheet multi-bypass tray) Maximum: 800 sheets (300 sheets & optional 500-sheet paper feed unit)
Paper weight	Tray 1: 60 g/m <sup>2</sup> to 176 g/m <sup>2</sup> (16 lbs bond to 65 lbs cover) Tray 2: (BP-CS13): 60 g/m <sup>2</sup> to 200 g/m <sup>2</sup> (16 lbs bond to 110 lbs index) Multi-bypass tray: 60 g/m <sup>2</sup> to 200 g/m <sup>2</sup> (16 lbs bond to 110 lbs index)
First print time* <sup>2</sup>	Colour: 8.5 sec. B/W: 6.5 sec
Warm-up time* <sup>3</sup>	33 sec.
Memory	2 GB 16 GB eMMC
Power requirements	Rated local AC voltage ±10%, 50/60 Hz
Power consumption	Max. 1.15 kW (220 V to 240 V)
Dimensions (W x D x H)* <sup>4</sup>	410 x 410 x 369 mm (16 5/32" x 16 5/32" x 14 17/32")
Weight (approx.)	19 kg (41.9 lbs)

- \*1: Short-edge feeding.
- \*2: Short-edge feeding of A4 (8 1/2" x 11") sheets from paper tray, printer in fully ready condition. May vary depending on operating conditions and environment.
- \*3: In a standard measurement environment. May vary depending on operating conditions and environment.
- \*4: Including protuberances.

### Printer

Resolution	600 x 600 dpi
Interface	USB 2.0 (host, high-speed), 10Base-T/100Base-TX/1000Base-T, wireless LAN (IEEE 802.11 a/b/g/n/ac)
Supported OS	Windows Server 2016, Windows Server 2019, Windows Server 2022, Windows 10, Windows 11, Mac OS 10.10, 10.11, 10.12, 10.13, 10.14, 10.15, 11, 12, 13, 14
Network protocols	TCP/IP
Printing protocols	LPR, Raw TCP (port 9100), FTP for downloading print files, IPP, WSD
PDL	PCL 6 emulation, PostScript 3 emulation
Available fonts	80 fonts for PCL, 136 fonts for PostScript 3 emulation

- Design and specifications are subject to change without prior notice.
- Mac is a trademark of Apple Inc., registered in the US and other countries. Wi-Fi Direct is a registered trademark of Wi-Fi Alliance®. Wi-Fi Protected Setup is a trademark of Wi-Fi Alliance®. Windows and Windows Server are trademarks of the Microsoft group of companies. PostScript is either a registered trademark or trademark of Adobe in the US and/or other countries. All other brand names and product names may be trademarks or registered trademarks of their respective owners.



\* 658 mm when multi bypass tray is extended.

Shown with optional equipment.

Distributed by:

# SHARP