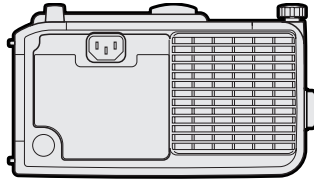


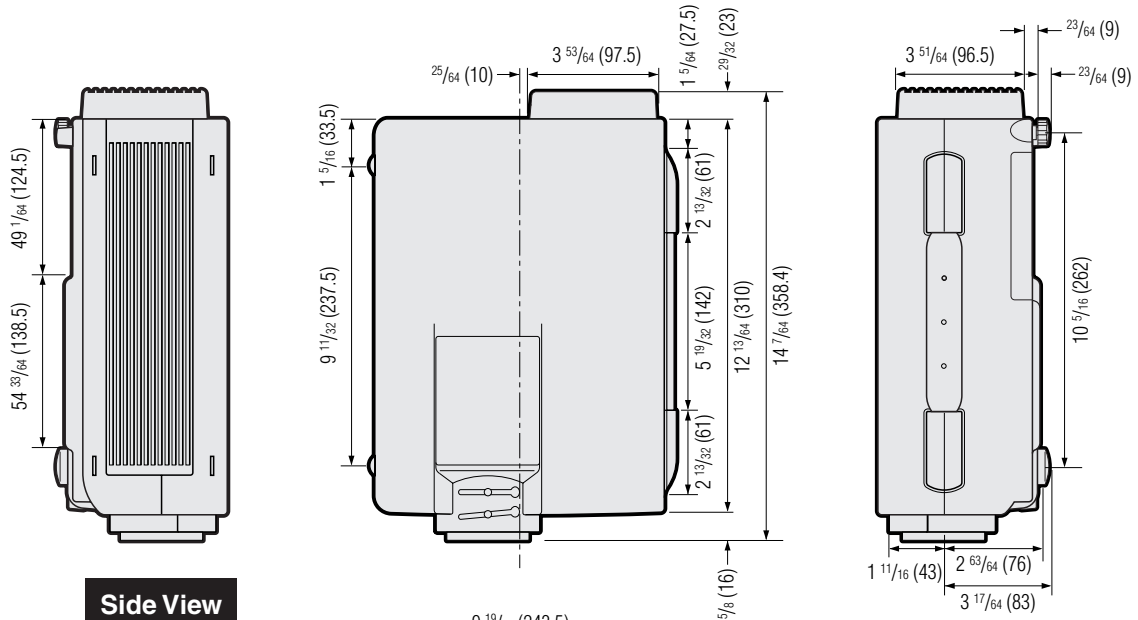


Dimensions

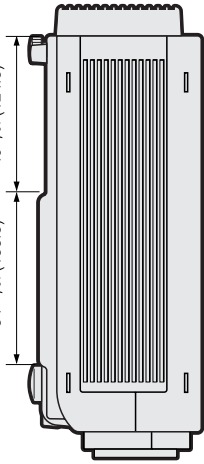
Rear View



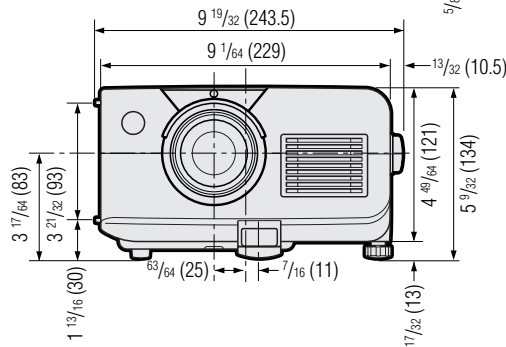
Top View



Side View



Front View



Bottom View

