

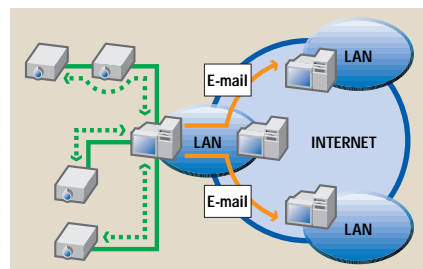
Convenient Control via Networking

Network Connectivity and Remote Access

The XG-V10W can be used in a network of up to 250 projectors managed from a single PC with the accompanying Sharp Advanced Presentation Software Professional Edition*, and connected to a PC with an RS-232C, RS-422 or LAN connection. Output terminals enable a daisy chain configuration and eliminate the need for a distributor. The XG-V10W can also be managed over a network via an Ethernet connection. The model has an ID No. indicator to set the ID number on each connected unit.

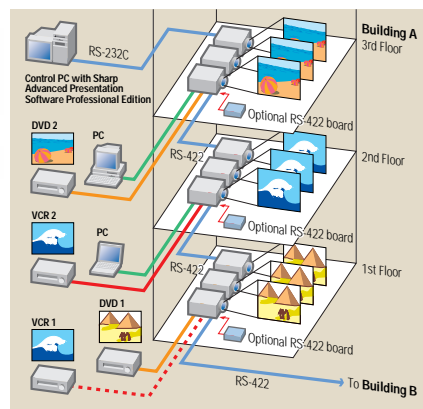
Self Diagnosis

The XG-V10W projector includes a self diagnosis function to constantly check its condition. When trouble occurs, for example, a lamp burns out, the projector sends an error message to the management PC installed with Sharp Advanced Presentation Software Professional Edition, which then automatically relays the projector's message to a registered address. The software also enables setting the PC to regularly check each projector's condition and sending their reports by e-mail, as well as keeping a record of those reports.



Multiple and Group Projector Control

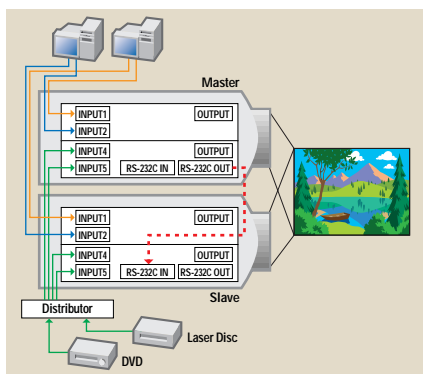
A management PC with Sharp Advanced Presentation Software Professional Edition can control up to 250 projectors individually. In addition, group setting is possible among these projectors, to control each group separately. With the RS-232C, the projectors can be controlled from a distance of up to 15 metres, and with the optional RS-422 board, projectors are operated from an even greater distance of 1.2 km maximum. With the optional LAN board, projectors are operated over an existing network.



* Sharp Advanced Presentation Software Professional Edition can be down-loaded from the Sharp Global Home Page (<http://www.sharp-world.com/projector/>) for free.

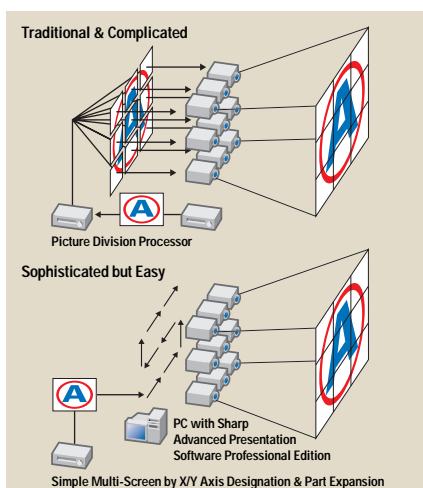
Simple Stacking and Video Wall Stack Projection

For brighter images, two XG-V10W projectors, for example, can be stacked in a master/slave configuration, providing 9400 ANSI Lumen (4700 x 2) brightness. The slave is controlled by the master during projection through an RS-232C connection. A separately-sold RS-232C cable is connected from the RS-232C output on the master to the RS-232C input on the slave. Adjusting the settings of each projector is individually controlled, and support functions such asEnlarge, Freeze and Presentation Tools are controlled by the two projectors together at the same time, just as when controlling only one projector.



Video Wall

With the accompanying Sharp Advanced Presentation Software Professional Edition, the XG-V10W can link with other XG-V10W projectors to create a video wall projection, eliminating the need for an image distributor, and allowing easy image settings from a PC when using a single video source. RS-232C outputs enable a master projector linked directly to the PC to form a simple daisy chain connection to multiple slave projectors. The video wall can be set up from 2 x 2 projectors to 8 x 8 projectors.



Optional Accessories

Lenses	Boards	Cables	Ceiling Mounts
AN-LV18MX (Fixed wide lens)	AN-S422 (RS-422 board)	AN-C3DV (DVI cable) (3 m)	AN-TK201 (For high ceiling installation)
AN-LV26EZ (Wide-zoom lens)		AN-C3CP (3-RCA to 15-pin D-sub cable) (3 m)	AN-TK202 (For standard ceiling installation)
AN-LV40EZ (Standard zoom lens)	AN-SD1 (Projector SDI board)	AN-C3BN (5-BNC to 15-pin D-sub cable) (3 m)	Installation Adaptor AN-SV1T
AN-LV36EZ (Super zoom lens)		AN-C10RS (RS-232C serial control cable) (10 m)	
AN-LV55EZ (Mid-range zoom lens)	AN-L10T (10 BASE-T board)		
AN-LV80EZ (Tele-zoom lens)			

* Check other accessories with your local dealers.

Specifications

Model	XG-V10W
LCD panels	Poly Silicon 1.8" (4.6 cm) active matrix TFT LCD x 3
Number of pixels	3,932,160 pixels (1,310,720 dots x 3, in stripe pixel arrangement)
Resolution	620 TV lines (video input), 720 TV lines (DTV 720P input, Dot by Dot), 1280 dots x 1024 lines (computer data)
Computer RGB input signals	UXGA (in advanced intelligent compression), SXGA, XGA, SVGA, VGA, VESA, Mac 21"/19"/16"/13" 15-126 kHz (horizontal), 43-230 Hz (vertical), 12-230 MHz (pixel clock) (plug & play VESA: DDC 1/2B)
Video colour systems	NTSC/NTSC 4.43/PAL/PAL (60Hz)/PAL-M/PAL-N/SECAM/DTV (480i/480P/720P/1080i)
Lens	Choice of six lenses (Sold separately)
Projection size	40" (102 cm) to 600" (15.2 m) diagonal
Projection distance	40" (102 cm) : 1.5 m-2.0 m, 100" (254 cm) : 3.9 m-5.1 m, 600" (15.2 m) : 24.0 m -31.2 m (with standard lens AN-LV40EZ)
Luminance	4700 ANSI Lumen
Contrast ratio	400:1
Audio amplifier	3W x 2 (stereo)
Speakers	5 x 8 cm (round) (x 2)
Input terminals	Video x 2 (BNC), S-video x 2(BNC), component x 2 (BNC), audio L/R stereo x 2 (RCA), computer RGB x 2 (15-pin mini D-sub x 1, 5BNC x 1), audio L/R stereo x 2 (RCA)
Output terminals	29-pin analogue-micro cross/digital (DVI) x 1, audio L/R stereo x 1 (RCA), expansion terminal x 1, wired remote control x 1 (3.5 mm mini jack), RS-232C serial port x 1 (9-pin D-sub)
Power source	110-120/220-240V AC, 50/60Hz (Multi-Voltage)
Power consumption	575W (0.2W standby power with XG-V10WU, 0.7W standby power with XG-V10WE)
Power dissipation	< 2100 BTU/hour
Projection lamp	200W UHP (x 2)
Dimensions (W x H x D)	444 x 196 x 621 mm (main body only) 448 x 222 x 643 mm (including adjuster legs and projecting parts)
Weight	18.9 kg (without lens), 23.1 kg (with standard lens AN-LV40EZ)
Supplied accessories	Remote control, AA size battery (x 2), power cord (1.8m), computer cable (3m), remote mouse receiver and cable for IBM/Mac USB (1m) and IBM PS/2 (1m), extra air filter, terminal cover, CD-ROM, operation manuals

Design and specifications are current as of September 2000, but are subject to change without prior notice.

SHARP
SHARP CORPORATION OSAKA, JAPAN
URL: <http://www.sharp-world.com/>

SHARP

XG-V10W
Conference Series

Great Large Venue Presentations from Sharp's High Grade Projector



TRUE SXGA NETWORK CAPABLE LARGE VENUE LCD PROJECTOR