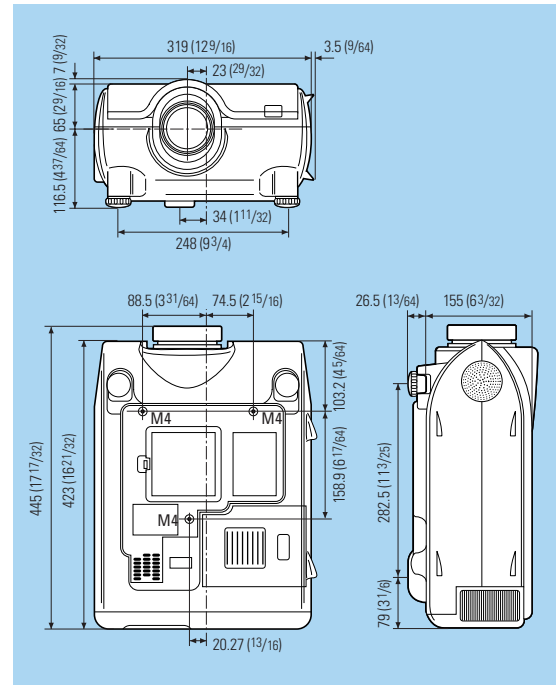


XG-P25X



Dimensional Drawings Units: mm (inches)



Optional Accessories

Lenses



AN-P48EZ
(Tele-zoom lens)



AN-T6EZ *1
(Tele-zoom lens)

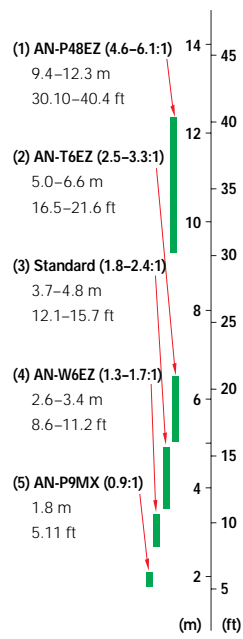


AN-W6EZ *1
(Wide-zoom lens)



AN-P9MX
(Fixed wide lens)

Projection Distances for a Normal (4:3) 100" Screen (throw ratio)



Cables*2

AN-C3DV
(DVI-D cable)
(3 m)

AN-C3CP
(3-RCA to 15-pin mini D-sub cable)
(3 m)

AN-C10BM
(RGB cable)
(10 m)
(for IBM-PC, NEC PC-9821 and PC-981X series)

AN-C10M
(RGB cable)
(10 m)
(for Macintosh series)

AN-C10PC
(RGB cable)
(10 m)
(for NEC PC-98 series except NEC PC-9821 and PC-981X series)

AN-C3BN
(5-BNC to 15-pin mini D-sub cable)
(3 m)

AN-C10RS
(RS-232C serial control cable)
(10 m)

AN-A1DV
(DVI to 15-pin mini D-sub adaptor)
(20 cm)

Ceiling Mounts

AN-TK201
(For high ceiling installation)

AN-TK202
(For standard ceiling installation)

AN-NV6T
(Installation adaptor)

*1 Separately sold bayonet mount (CLNS-0236CE01) needed.
*2 All cables may not be available in all regions. Please check with your nearest Sharp Authorized LCD Projector Dealer or Service Centre.

Specifications

Model	XG-P25X
Panels	Poly Silicon 1.3" (3.3 cm) active matrix TFT LCD x 3
Number of pixels	2,359,296 pixels (786,432 dots x 3, in stripe pixel arrangement)
Resolution	520 TV lines (S-video input), 750 TV lines (DTV 720P input, STRETCH mode)
Video/data systems	RGB input signals: UXGA/SXGA/Mac 21" (in advanced intelligent compression), XGA, SVGA, VGA, VESA, Mac 19" /16" /13" 15-126 kHz (horizontal), 43-200 Hz (vertical), 12-230 MHz (pixel clock) (plug & play VESA; DDC 1/2B) Video colour systems: NTSC/NTSC 4.43/PAL/PAL (60 Hz)/SECAM/DTV (480i/480P/580i/580P/720P/1035i/1080i)
Lens	1:1.3 power zoom and focus
Projection size	40" (102 cm) to 300" (762 cm) diagonal
Projection distance	40" (102 cm): 1.4-1.9 m, 100" (254 cm): 3.7-4.8 m, 300" (762 cm): 11.4-14.7 m
Luminance	4,000 ANSI lumen (Standard Mode)/3,400 ANSI lumen (Low Power Mode)
Contrast ratio	600:1
Audio amplifier/speakers	2 W + 2 W (Stereo)/4.5 cm (round) x 2
Input terminals	Video x 1 (RCA), S-video x 1, audio L/R stereo x 1 (RCA), computer RGB/component x 2 (15-pin mini D-sub x 1, 5-BNC x 1), computer RGB (29-pin DVI-I) x 1, audio L/R x 2 (3.5 mm stereo mini jack), RS-232C serial port x 2 (9-pin D-sub), wired remote control x 1 (3.5 mm mini jack)
Output terminals	Computer RGB x 1 (15-pin mini D-sub), audio L/R x 1 (3.5 mm stereo mini jack)
Power source	100-240 VAC, 50/60 Hz (Multi-Voltage)
Power consumption	380 W (Standard Mode)/350 W (Low Power Mode)/0.7 W (Standby)
Fan noise	37 dB (Standard Mode)/35 dB (Low Power Mode)
Power dissipation	1,430 BTU/hour
Projection lamp/lamp life	AC 270 W/1,500 hour
Dimensions (W x H x D)	319 x 155 x 423 mm (12 9/16" x 6 3/32" x 16 21/32") (body only) 322.5 x 188.5 x 445.0 mm (12 11/32" x 7 27/64" x 17 17/32") (including adjuster legs and projecting parts)
Weight	9.7 kg (21.4 lbs.)

• The DVI terminal is only compatible with the Separate Sync. function.
• Signals input through the DVI terminal are not output through terminals.
Design and specifications are current as of September 2002, but are subject to change without notice.



SHARP CORPORATION OSAKA, JAPAN

URL: <http://www.sharp-world.com/>

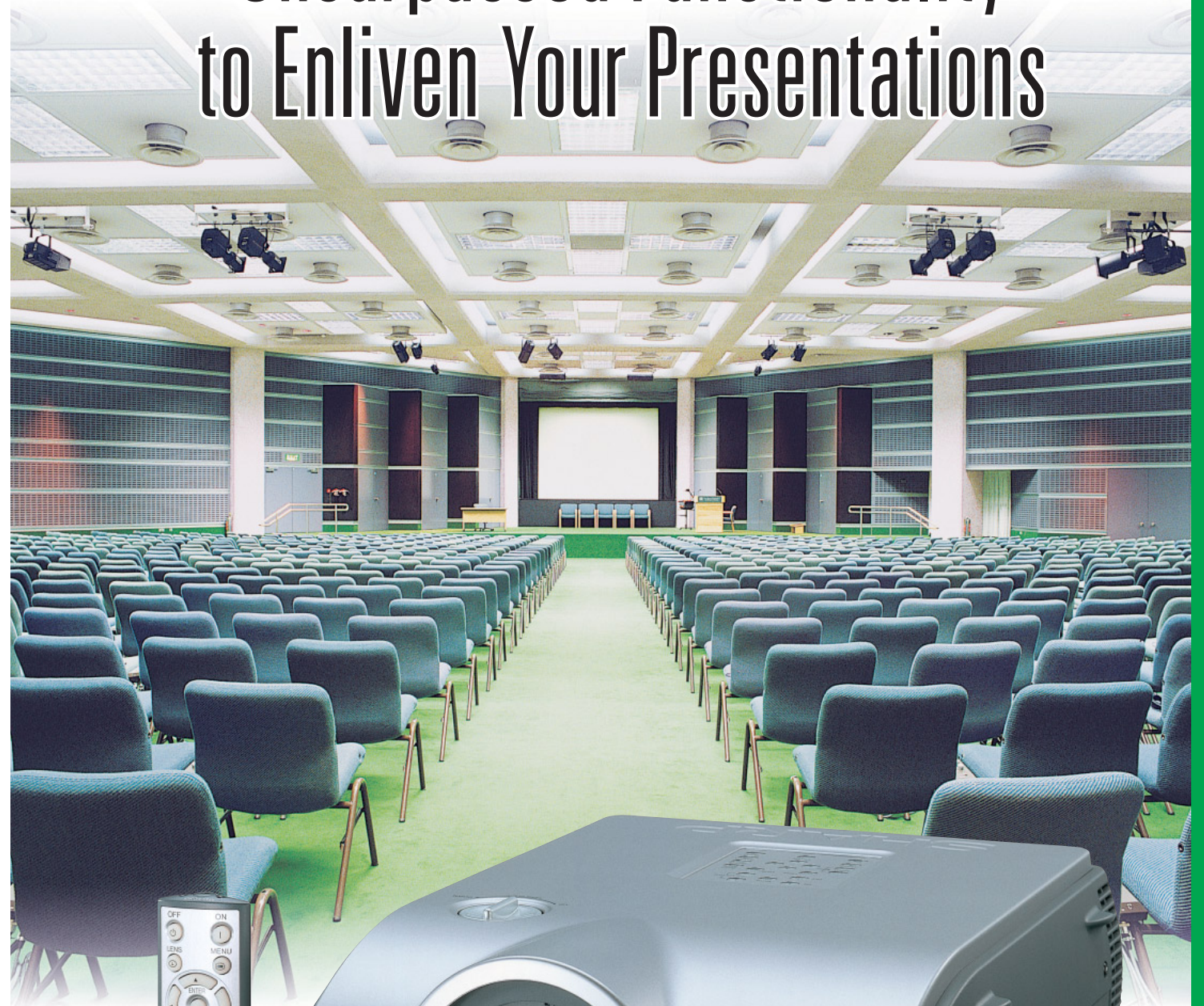
1N0067N © SHARP CORP. (SEP. 2002 PRINTED) I3E Printed in Japan

SHARP

XG-P25X

Conference Series

Unsurpassed Functionality to Enliven Your Presentations



TRUE XGA PORTABLE AND CONFERENCE LCD PROJECTOR