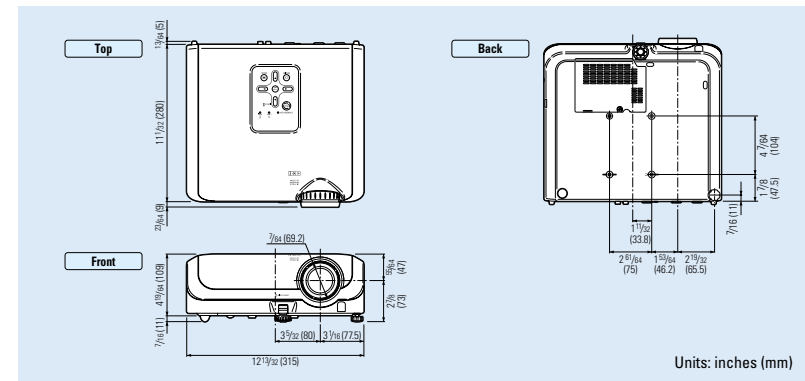


XV-Z3000



Dimensions



SHARP

XV-Z3000
High-Definition DLP™ Home Theater Projector
(For the North America Market Only)

High-Definition DLP™ Projector Provides Amazingly High 6500:1 Contrast Ratio and Expands Home Theater Entertainment!

Optional Accessories

Lamp	Adaptor	Cable	Ceiling Mounts
AN-100LP	AN-A1RS DIN-D-sub RS-232C adaptor 5 5/16" (15 cm)	AN-C3CP2 3-RCA to 15-pin D-sub cable 10' (3 m)	AN-TK201 For high ceiling installation AN-60TK Installation adaptor

Note: Some of the optional accessories may not be available depending on the region. Please check with your nearest Sharp Authorized Projector Dealer or Service Center.

Specifications

Model	XV-Z3000
DMD™ chip	0.65" (1,280 x 768 dots) Digital Micromirror Device™ (DMD™) x 1 by Texas Instruments
Number of pixels	983,040 pixels (1,280 x 768)
Resolution	720 TV lines (DTV 720P input), 520 TV lines (video input)
HDTV compatibility*1	1080i (in intelligent compression), 720P, 576P, 576i, 480P, 480i
Computer RGB input signals	XGA, SVGA, VGA, Mac 19"/16"/13"
Video color systems	NTSC/NTSC4.43/PAL/PAL(60Hz)/PAL-M/PAL-N/SECAM
Lens	1:1.15 manual zoom and focus
Projection size	40" – 300"
Projection distance	9'11" – 11'6" (3.0 – 3.45 m) for 16:9 wide 100" screen
Luminance	1,200 ANSI Lumen (in High-Brightness Mode)
Contrast ratio	6,500:1 (in High Contrast Mode)
Input terminals	3RCA (component) x 2, RCA video x 1, S-video x 1, HD-15 (RGB/component) x 1
RGB terminal	HDMI (digital video component & RGB) x 1
Power source	AC 100-240 V, 50/60 Hz (multi-voltage)
Power consumption	355 W (standby 6.6 W) with AC 100 V
Fan noise	33 dB (Standard Mode), 30 dB (Low Power Mode)
Projection lamp	275 W (SHP)
Lamp life	3,000 hours (Low Power Mode)
Dimensions (W x H x D)	12 13/32" x 4 47/64" x 11 37/64" (315 x 120 x 294 mm) (including adjuster legs and lens), 12 13/32" x 4 19/64" x 11 1/32" (315 x 109 x 280 mm) (main body only)
Weight	8.8 lbs. (4.0 kg) (including adjuster legs and lens)
Supplied accessories	Lens cap, power cord, phosphorescent remote control

Design and specifications are current as of March 2006, but are subject to change without notice.
*1 High Definition Television (HDTV) Monitor. Defined by CEA (Consumer Electronics Association, USA) to designate a 16:9 aspect ratio monitor or display with active vertical scanning lines of 720 progressive (720p) and higher.
* DLP™, the DLP™ logo, the DLP™ medallion and BrilliantColor™ are trademarks of Texas Instruments.



SHARP
SHARP CORPORATION OSAKA, JAPAN
URL <http://www.sharp-world.com/>



SHARP VISION