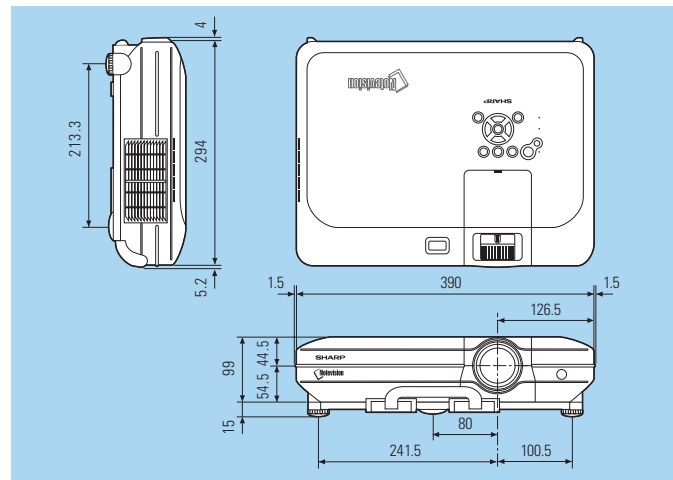


PG-C45X



Dimensional Drawings (Units: mm)



Optional Accessories

Lenses

AN-C12MZ
(Wide-zoom lens)

Projection Distances for a Normal (4:3) 100" Screen (throw ratio)

Throw Ratio	Projection Distance (m)	Projection Distance (ft)
AN-C12MZ (1.2-1.5:1)	2.4-3.0 m	7.9-9.8 ft
Standard (1.8-2.3:1)	3.6-4.7 m	11.8-15.4 ft

Cables

AN-C3CP
3-RCA to 15-pin D-sub cable (3 m)

AN-C3BN
5-BNC to 15-pin D-sub cable (3 m)

AN-C10BM
RGB cable IBM VGA series (10 m)

AN-C10MC
RGB cable Macintosh II series (10 m)

AN-C10RS
RS-232C serial control cable (10 m)

Ceiling Mounts

AN-TK202
For standard ceiling installation

AN-TK201
For high ceiling installation

AN-60KT
Installation adaptor

Specifications

Model	PG-C45X	PG-C45S
LCD panels	Poly Silicon 0.99" (2.54 cm) active matrix TFT LCD x 3	
Number of pixels	2,259,296 pixels (786,432 dots x 3, in stripe pixel arrangement)	1,440,000 pixels (480,000 dots x 3, in stripe pixel arrangement)
Resolution	550 TV lines (video input), 750 TV lines (DTV 720P input, Dot by Dot)	520 TV lines (DTV 720P input)
Video/data systems	RGB input signals: UXGA/SXGA+/SXGA/Mac 21" (in advanced intelligent compression), XGA, SVGA, VGA, PC-98, VESA, Mac 19"/16"/13", 15-126 kHz (horizontal), 43-200 Hz* (vertical), 12-230 MHz (pixel clock) (plug & play VESA; DDC 1/2B) Video colour systems: NTSC/NTSC 4.43/PAL/PAL (60 Hz)/PAL-M/PAL-N/SECAM/DTV (480i/480P/540P/580i/580P/720P/1035i/1080i-50 Hz/60 Hz)	RGB input signals: SXGA/Mac 21"/19" (in advanced intelligent compression), SVGA, VGA, PC-98, VESA, Mac 16"/13", 15-102 kHz (horizontal), 43-160 Hz* (vertical), 12-120 MHz (pixel clock) (plug & play VESA; DDC 1/2B) Video colour systems: NTSC/NTSC 4.43/PAL/PAL (60 Hz)/PAL-M/PAL-N/SECAM/DTV (480i/480P/540P/580i/580P/720P/1035i/1080i-50 Hz/60 Hz)
Lens	1:1.27 manual zoom and focus	
Projection size	40" (102 cm) to 300" (762 cm) diagonal	
Projection distance	40" (102 cm): 1.4-1.8 m, 100" (254 cm): 3.6-4.7 m, 300" (762 cm): 11-14.1 m	
Luminance	2,500 ANSI Lumen (Standard Mode)/2,000 ANSI Lumen (Low Power Mode)	2,400 ANSI Lumen (Standard Mode)/1,900 ANSI Lumen (Low Power Mode)
Contrast ratio	400:1	
Audio amplifier	3 W	
Speakers	3 cm (round) x 1	
Input terminals	Video x 1 (RCA), S-video x 1, audio L/R mono mixing x 1 (RCA), computer RGB/component x 2 (15-pin mini D-sub), audio L/R x 1 (3.5 mm stereo mini jack), RS-232C serial port x 1 (9-pin D-sub), wired remote control x 1 (3.5 mm mini jack), USB x 1	
Output terminals	Computer RGB/component x 1 (15-pin mini D-sub), audio L/R x 1 (3.5 mm stereo mini jack)	
Power source	100-240 V AC, 50/60 Hz (Multi-Voltage)	
Power consumption	340 W (Standard Mode)/290 W (Low Power Mode)/0.8 W (Standby)	
Fan noise	36 dB (Standard Mode)/33 dB (Low Power Mode)	
Projection lamp	250 W UHP lamp	
Lamp life	1,500 hours (Standard Mode)/2,000 hours (Low Power Mode)	
Dimensions (W x H x D)	390 x 99 x 294 mm (main body only) 393 x 114 x 303.2 mm (including adjuster legs and projecting parts)	
Weight	5.1 kg (11.3 lbs)	

* Temporary noise may be visible with vertical frequencies above 100 Hz if OSD functions are activated. Design and specifications are current as of December 2002, but are subject to change without notice.

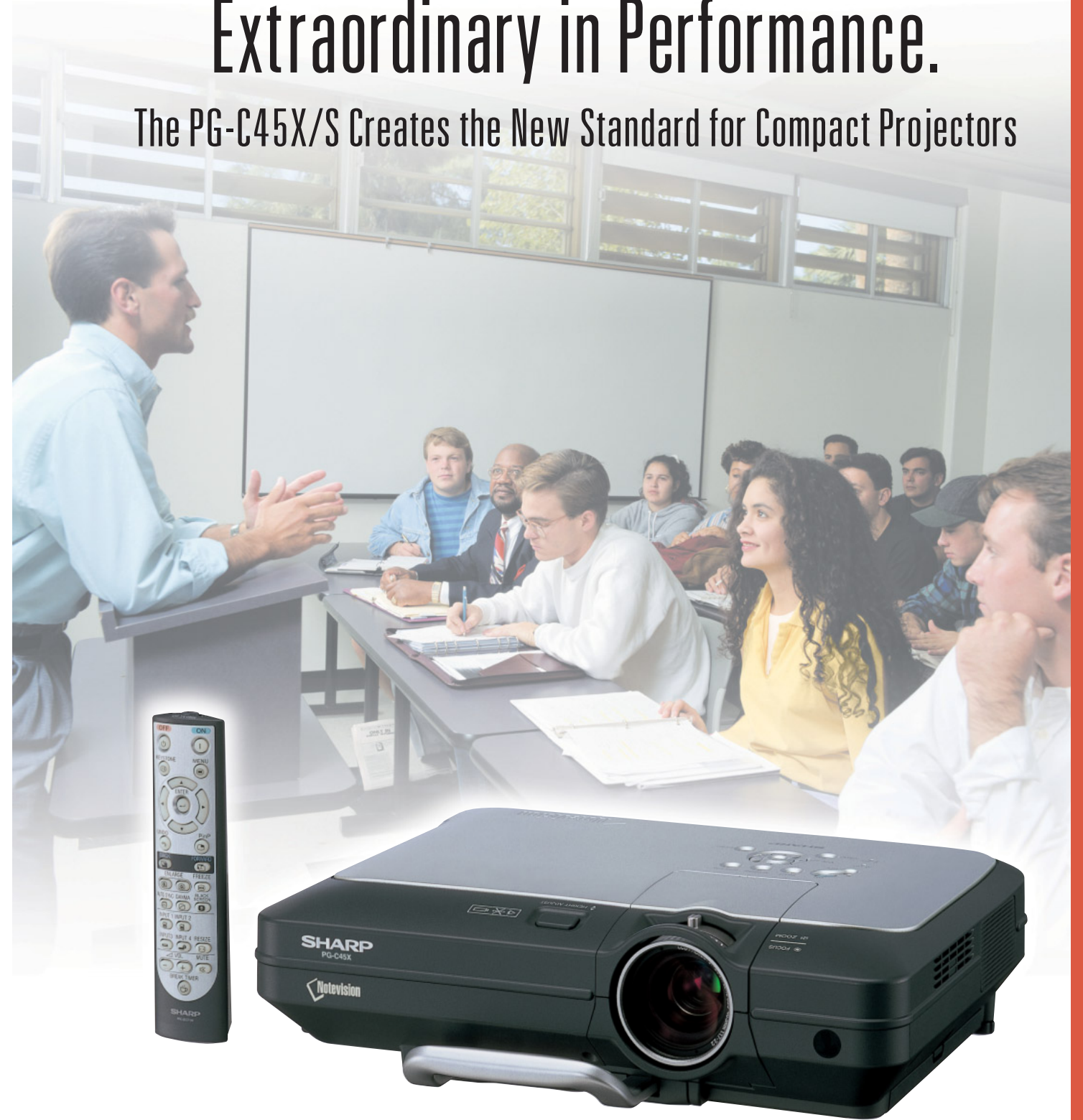
SHARP

PG-C45X/S

TRUE XGA/SVGA PORTABLE LCD PROJECTOR

Low in Profile,
Extraordinary in Performance.

The PG-C45X/S Creates the New Standard for Compact Projectors



SHARP

SHARP CORPORATION OSAKA, JAPAN

URL: <http://www.sharp-world.com/>

1N0075N © SHARP CORP. (DEC. 2002 PRINTED) I1E Printed in Japan