

So smart, so compact, so easy to place



smart business partner

Unified Cloud Connection

Sign in just once on the MFP to connect to multiple cloud services, such as Microsoft Teams. Downloading apps from the cloud is easy. And updates are displayed clearly, so you're always using the latest version of services.

Solid Security

The MFP has multiple levels of security to protect itself—and your data. When booting up, the MFP checks for anomalies in the BIOS firmware. And optional software prevents attacks on connected devices.

Link Mobile Devices

Mobile devices installed with the Sharpdesk Mobile app*1 can connect directly to the MFP for printing or downloading scanned data. The MFP can also be equipped with AirPrint and the Sharp Print Service Plugin.

Wireless LAN Connection

The MFP works with the 5 GHz band to ensure minimal radio interference and stable high-speed communications. The MFP also supports Wi-Fi Protected Setup™, so it can connect to a wireless LAN without the need for an SSID and security key.

7.0-inch Full-flat Touchscreen

With a variety of functions accessible via simple, intuitive icons, MFP operation is smooth and easy.

High-performance DSPF

The DSPF (duplex single pass feeder) scans both pages of two-sided documents in one pass—in batches of up to 100 sheets. With scanning speeds of up to 130 opm*2 (two-sided), the MFP is quick to finish even large jobs. A dedicated business card feeder on the DSPF scans batches of up to 25 cards.

Smart Scanning

Simply tap the Auto Set button and the MFP will automatically determine the optimal resolution, gradation, and compression rate for your scan jobs. It also automatically reorients pages right side up and corrects any skewed sheets.

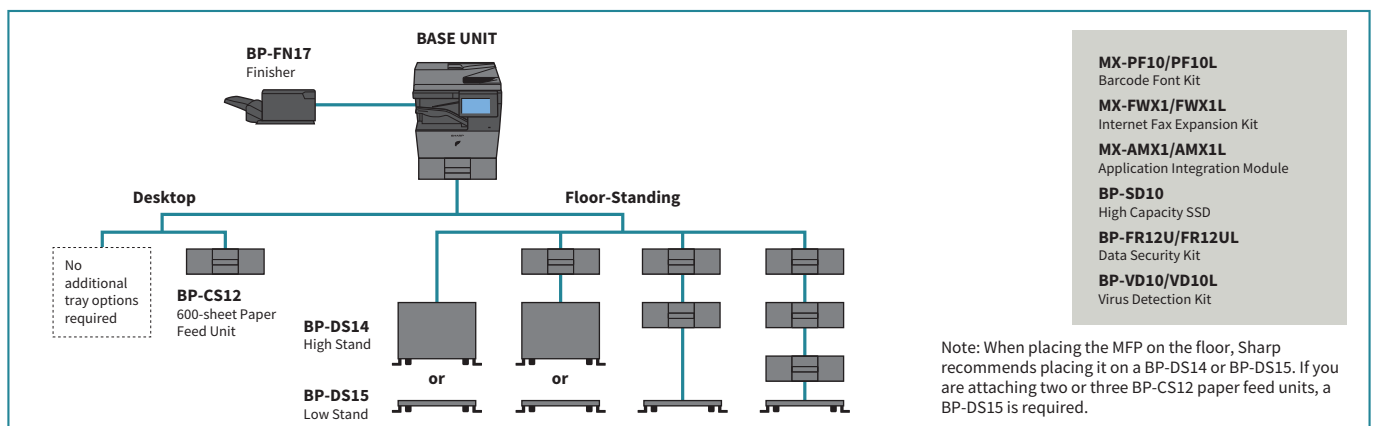
On-screen System Information

The LCD shows the state of your MFP, displaying current operation and notifications for things like paper, toner, and maintenance.

*1: Availability varies by country/region.

*2: Originals per minute; when feeding A4 sheets.

SYSTEM CONFIGURATION



SPECIFICATIONS

General

Type	Desktop
Engine speed	A4 ^{*1} : Max. 47 ppm
Control panel display	7.0-inch colour LCD touchscreen
Paper size	Max. A4, min. A6
Paper capacity (80 g/m ²)	Standard: 550 sheets (500-sheet tray and 50-sheet multi-bypass tray) Maximum: 2,350 sheets (550 sheets & optional 600-sheet tray x 3)
Paper weight	Tray 1: 60 g/m ² to 105 g/m ² Trays 2-4 (BP-CS12): 55 g/m ² to 220 g/m ² Multi-bypass tray: 55 g/m ² to 220 g/m ²
Warm-up time ^{*2}	20 sec.
Memory	Standard: 5 GB (copy/print shared) 128 GB SSD ^{*3} Option: 512 GB SSD ^{*3*4}
Power requirements	Rated local AC voltage ±10%, 50/60 Hz
Power consumption	Max. 1.84 kW (220 V to 240 V)
Dimensions (W x D x H) ^{*5}	492 x 517 x 610 mm
Weight (approx.)	31 kg

Copier

Original paper size	Max. A4
First copy time ^{*6}	3.7 sec.
Continuous copy	Max. 9,999 copies
Resolution	Scan: 600 x 600 dpi, 600 x 400 dpi Print: 600 x 600 dpi, 9,600 (equivalent) x 600 dpi (depending on copy mode) Equivalent to 256 levels
Gradation	Equivalent to 256 levels
Zoom range	25% to 400% (25% to 200% using DSPF) in 1% increments
Preset copy ratios	Metric: 10 ratios (5R/5E), inch: 7 ratios (4R/3E)

Scanner

Scan method	Push scan (via control panel) Pull scan (TWAIN-compliant application)
Scan speed ^{*7} (colour & B/W)	One-sided: Max. 65 originals/min. Two-sided: Max. 130 originals/min.
Resolution	Push scan: 100, 150, 200, 300, 400, 600 dpi Pull scan: 75, 100, 150, 200, 300, 400, 600 dpi 50 dpi to 9,600 dpi via user setting ^{*8}
File formats	TIFF, PDF, PDF/A-1a, PDF/A-1b, encrypted PDF, XPS, compact PDF ^{*9} , JPEG ^{*9} , searchable PDF, OOXML (docx, xlsx, pptx), text (TXT [UTF-8]), rich text (RTF)
Scan destinations	Email/desktop ^{*10} /FTP server/network folder (SMB)/USB drive/local drive

^{*1}: Short-edge feeding.
^{*2}: In a standard measurement environment. May vary depending on operating conditions and environment.
^{*3}: Storage capacity depends on procurement and sourcing status.
^{*4}: Replacing the standard-equipped SSD with the optional BP-SD10 increases storage capacity to 512 GB.
^{*5}: Including protuberances.
^{*6}: Short-edge feeding of A4 sheets from 1st paper tray, using document glass, MFP in fully ready condition. May vary depending on operating conditions and environment.
^{*7}: Based on Sharp's A4 standard chart, using document feeder, short-edge feeding, and factory default settings. Scan speed will vary depending on the type of document and the scan settings.
^{*8}: Resolution will vary depending on the size of the scanned area.
^{*9}: Colour/greyscale only.
^{*10}: Requires Network Scanner Tool Lite.
^{*11}: Storage capacity will vary depending on the type of document and the scan settings.
^{*12}: Based on Sharp's standard chart with approx. 700 characters (A4 short-edge feeding) at standard resolution in Super G3 mode, 33,600 bps, JBIG compression.

Document Filing

Document filing capacity ^{*11}	[Standard] Main and custom folders: Max. 5,000 pages or 500 files Quick file folder: Max. 5,000 pages or 500 files [Option] Main and custom folders: Max. 20,000 pages or 3,000 files Quick file folder: Max. 10,000 pages or 1,000 files
Stored jobs	Copy, print, scan, fax
Storage folders	Quick file folder, main folder, custom folder (max. 1,000 folders)

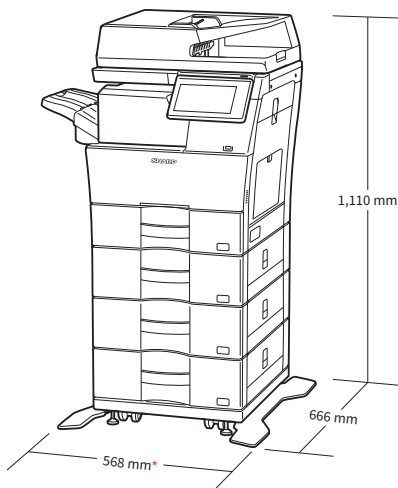
Printer

Resolution	600 x 600 dpi, 9,600 (equivalent) x 600 dpi
Interface	USB 2.0 (host, high-speed), USB 3.0 (host, super speed), 10Base-T/100Base-TX/1000Base-T, wireless LAN (IEEE 802.11 a/b/g/n/ac)
Supported OS	Windows Server 2012, Windows Server 2012 R2, Windows Server 2016, Windows Server 2019, Windows Server 2022, Windows 10, Windows 11, Mac OS 10.10, 10.11, 10.12, 10.13, 10.14, 10.15, 11, 12, 13, 14 TCP/IP
Network protocols	LPR, Raw TCP (port 9100), POP3 (email printing), HTTP, FTP for downloading print files, IPP, SMB, WSD
Printing protocols	PCL 6 emulation, Adobe PostScript 3
PDL	80 fonts for PCL, 139 fonts for Adobe PostScript 3
Available fonts	80 fonts for PCL, 139 fonts for Adobe PostScript 3

Facsimile

Compression method	MH/MR/MMR/JBIG
Communication protocol	Super G3/G3
Transmission time	Less than 3 seconds ^{*12}
Modem speed	33,600 bps to 2,400 bps with automatic fallback
Transmission resolution	From Standard (203.2 x 97.8 dpi) to Ultra Fine (406.4 x 391 dpi)
Recording size	A4 to A5
Memory	4 GB (built-in)
Greyscale levels	Equivalent to 256 levels

• Design and specifications are subject to change without prior notice.
 • Microsoft Teams, Windows, and Windows Server are trademarks of the Microsoft group of companies. AirPrint and Mac are trademarks of Apple Inc., registered in the US and other countries. Wi-Fi Protected Setup is a trademark of Wi-Fi Alliance®. Adobe and PostScript are either registered trademarks or trademarks of Adobe in the US and/or other countries. All other brand names and product names may be trademarks or registered trademarks of their respective owners.



* 878 mm when finisher tray and multi bypass tray are extended.

Shown with optional equipment.

Distributed by:

