

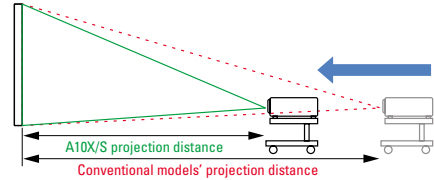
A Projector So Compact and Lightweight For Anyone to Setup and Operate

The PG-A10X/S simplifies basic features for exact operation for anybody rather inexperienced with presentations. It provides speedy preparation, simple and smooth operation, a file-size compact and lightweight body, high-brightness, a long-life lamp and low noise design, creating a comfortable presentation environment and rendering successful business results. Now that anyone can give an impressive presentation with the PG-A10X/S, companies will surely wish to assign one to each division and department.

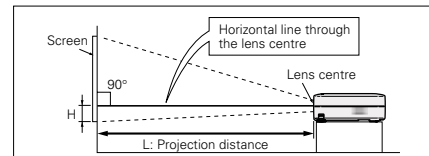
Presentation Support from Setup Flex

Short Throw Lens

The Short Throw Lens makes large-screen presentation possible even in a small meeting room.



Correlation of PG-A10X/S and Screen



4:3 Zoom Mode (Standard mode with computer input)

Picture size			L: Projection distance		H: Distance between bottom of the picture and the lens centre
Diagonal (inches)	Width (m)	Height (m)	Shortest	Longest	
300	6.1	4.6	9.8m	11.8m	46.2cm
200	4.1	3.0	6.5m	7.9m	30.8cm
150	3.0	2.3	4.9m	5.9m	23.1cm
100	2.0	1.5	3.2m	3.9m	15.4cm
80	1.6	1.2	2.6m	3.1m	12.3cm
70	1.4	1.1	2.3m	2.7m	10.8cm
60	1.2	0.9	1.9m	2.3m	9.2cm
40	0.8	0.6	1.3m	1.5m	6.2cm

16:9 Squeeze Mode

Picture size			L: Projection distance		H: Distance between bottom of the picture and the lens centre
Diagonal (inches)	Width (m)	Height (m)	Shortest	Longest	
300	6.6	3.7	8.9m	12.9m	-11.5cm
200	4.4	2.5	7.1m	8.6m	-9.2cm
150	3.3	1.9	5.3m	6.4m	-6.9cm
120	2.7	1.5	4.3m	5.1m	-5.5cm
100	2.2	1.2	3.5m	4.3m	-4.6cm
80	1.8	1.0	2.8m	3.4m	-3.7cm
70	1.6	0.9	2.5m	3.0m	-3.2cm
60	1.3	0.7	2.1m	2.5m	-2.8cm
40	0.9	0.5	1.4m	1.7m	-1.8cm

* Negative figures mean the lens centre position is under the bottom of the picture.

Essential Elements of Mobile Presentation

4500-Hour Longer Lamp Life

Employing Low Power Shutdown (LPS) and a newly designed lamp with reduced impurity in materials and increased purity achieves a long lamp life of 4500 hours in Eco Mode (3000 hours in Standard Mode). The lamp can provide superior performance for as long as 4 years and 3 months when used 4 hours per day, 5 days a week.

Long-Life Lamp: Reduction in glass transparency caused by impurity in lamp materials combined with inferiority of electrodes together decrease lamp brightness. This is the main reason lamp life is restricted. In the PG-A10X/S, impurity of lamp materials is reduced, increasing lamp life.

LPS (Low Power Shutdown): This technology reduces damage to the lamp electrodes by maintaining low power mode when the lamp is turned off. # When switching into the low power mode, the glass cools more quickly than the electrodes and prevents excess enclosure material from adhering to the electrodes, which causes resistance when turning the lamp on. The result is improved lighting the next time the lamp is turned on and preventing high-voltage being applied to the electrodes when the lamp is off.

Lamp Life: This is the average time for the lamp's luminance to decrease to half and is not a guarantee of time.

1500/1200 ANSI Lumen Brightness 1300/1040 ANSI Lumen Brightness

Incorporating Sharp optoelectronics technology, the PG-A10S provides 1500ANSI lumen brightness and the PG-A10X provides 1300 ANSI Lumen brightness in spite of its compact body. Plus, 1200 ANSI Lumen for the PG-A10S and 1040 for the PG-A10X can be set in the Eco Mode.

Compact-to-Carry File-Size Body

PG-A10X/S boasts a compact, file-size design (29.7 x 22.9 x 8.1 cm) with a lightweight body (2.9 kg), accompanying you with your PC to provide presentations anywhere.



Smooth Presentations Even for Beginners

Intuitive Layout of Buttons and Terminal Layout

For intuitive button layout, essential and frequently used buttons for basic operations, setup and image adjustment are located close together. This layout allows simple setup and operation for anybody. And, a wide variety of AV/PC terminals are effectively placed with colour guidance.



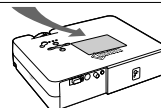
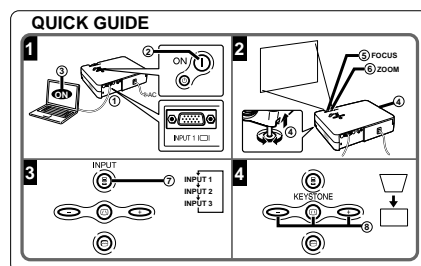
Rear Terminal

Page Up/Down Buttons on Remote Control

With the optional remote receiver AN-MR1EL, screens displaying presentation software such as PowerPoint® can be easily moved forward and back by remote control.

Quick Guide

Any person first using the PG-A10X/S can quickly set up and use it with just a quick glance at the reference sticker enclosed. Sticking it close to operation buttons simplifies basic operation by eliminating the need to check operation manuals.



31 dB Low Fan Noise (in Eco Mode) and Front Ventilation

The projector employs an Eco Mode and a newly developed separate cooling system for reducing fan noise. Plus, Front Ventilation produces a comfortable presentation environment without



the disturbance of air being blow back toward the presenter.



Successfully

Compatibility and Convenient Operation

Wide Angle Adjustment

The angle of the front adjuster is a full 12° (5° for conventional models) and a 3° rear adjuster is added. This enables wide, free, and flexible angle adjustment for projection placement. The projector can also be mounted on ceilings with projection flipped left/right or up/down.



Active Digital Keystone Correction

The Active Digital Keystone Correction compensates for trapezoid-shaped picture distortion when images are projected at an angle.

Simple Key Lock and Anti-Theft Function

The key lock and cancel are easily controlled with a key button on the projector body and the remote control. These functions are useful for example to prevent children from meddling, or any other time to avoid tampering.

Sharp Original Pull-Down Menu GUI (Graphical User Interface)

The easy-to-use icon-based GUI shows how to adjust the picture, language or other settings on the screen, and single adjustment items can be displayed without disturbing the screen with menu bars.

Excellent PC Compatibility

Excellent Compatibility with a Wide Range of Computer Input Signals

The PG-A10X is truly compatible with XGA (1,024 x 768) and the PG-A10S is truly compatible with SVGA. In addition, SXGA+ (1,400 x 1,050) and SXGA (1,280 x 1,024) are also compatible in intelligent compression*1 for natural, smooth and clear PC display projection.

- Horizontal Frequency: 15-70 kHz
- Vertical Frequency: 43-85 Hz
- Pixel Clock: 12-108 MHz

sRGB Compatibility

sRGB Compatibility, the international standard for colour reproductivity, faithfully reproduces on PC displays the colour tones, phases, and gradations of the original pictures.

Auto Response Adjust (ARA)

One touch automatically synchronises subtly different projection signals from connected PCs.

Superior Video Image Quality

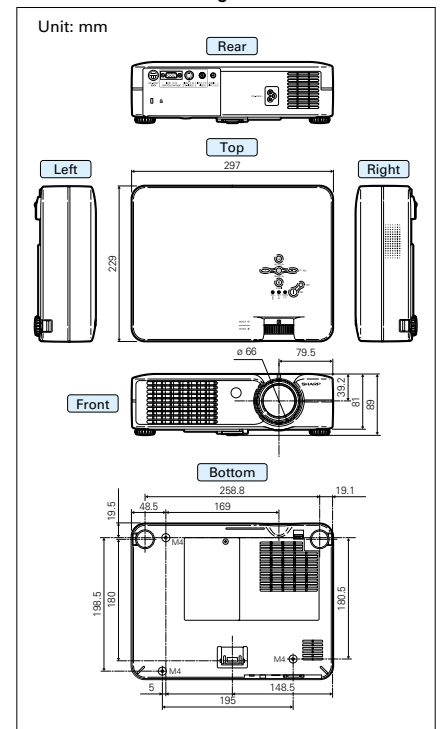
Big-Screen Projection of DVD*2 Software

With the merging of advanced technology from theatre projectors and high-grade television, the PG-A10X/S provides high-quality pictures for DVDs, Hi-vision broadcasts and education videos in large-screen projection. The projector is also compatible with worldwide broadcast signals such as NTSC, PAL and SECAM.

Other Outstanding Features

- Built-In 1 W Speaker
- Enlarge & Freeze
- Picture Setting Memory

Dimensional Drawings



*1 The SXGA, SXGA+ and UXGA pictures cannot be displayed.
*2 A separate DVD player is needed for viewing DVDs.

