

SHARP

FO-3150

Laser Facsimile

Making Life Easier in Your Office



Streamline Your Workplace in Style

If quality, style and convenience are what you're looking for in a SOHO facsimile, look no further than the FO-3150 from Sharp. The FO-3150's 8 ppm*¹ laser printing capability creates precise, easy-to-read print-outs every time — say goodbye to smudged or blurry faxes.

The tasteful, all-white outer casing, meanwhile, adds a contemporary touch to any workplace decor. But what you'll really notice about the FO-3150 are its time-saving and user-friendly features. From the handy copier function to the 4-point operation key, the FO-3150 simply makes life easier in your office.



POWERFUL

CONVENIENT

TIME-SAVING

Laser

POWERFUL

Generous Memory

No need to worry any more about losing an incoming fax if you run out of paper or toner. With its large memory capacity of 1.8 MB, the FO-3150 stores up to 100 pages*¹ of documents. It also lets you enjoy the convenience of memory transmission, substitute reception, and other handy memory-based functions.



Ample Paper Capacity

With its stylish lines, the FO-3150 offers a surprisingly large paper capacity of 200 sheets*². This means the FO-3150 deals effortlessly with incoming faxes — whether long or short — and frees you from the worry of having to constantly replenish the paper supply.

CONVENIENT

4-Point Operation Key

The FO-3150's easy-to-use 4-point operation key gives you quick access to the controls you need. Now it's easier than ever to access directory dialling, change the user settings, or adjust the operation volume.



Handy Laser Copier Function

More than just a fax machine, the FO-3150 also serves as a back-up copier. Place your original in the document feeder, and with one pass the FO-3150 can make up to 50 copies — all with superb laser quality.

Automatic Document Feeder

When it's time to send or copy your original document, the FO-3150 lets you place up to 20 pages in the document feeder. The FO-3150 saves you the inconvenience of inserting documents one page at a time.

TIME-SAVING

Quick On-Line Transmission

With 14.4 Kbps transmission, the FO-3150 sends documents at a speedy 6 seconds per page*³. Now you can return to other important work sooner, without having to wait for the fax machine to finish its job.

High-Speed Laser Printing

The FO-3150's laser printer function gives you the speed and quality you need. Documents are printed out swiftly at 8 pages per minute*¹ onto plain paper that won't curl or fade like thermal paper.

Personal Auto-Dialling

To speed things up when you're dialling frequently-called numbers, the FO-3150 comes with 10 rapid dial (one-touch) keys and 89 speed dial (abbreviated) keys. A real time-saver in your busy workplace.

*¹ Based on Sharp's standard chart at standard resolution.

*² 20 lb. paper (70 g/m²)

*³ Based on Sharp's standard chart at standard resolution (only when ECM is on).

Quality at Your Fingertips

Other Outstanding Features

- > Group Dialling—Up to 2 Groups (20 Locations Each)
- > 64-Level Halftone
- > Anti-Junk Fax (5 Locations)
- > Polling Function
- > Serial Broadcasting to 20 Locations
- > Help Function
- > ECM (Error Correction Mode)
- > Transaction Report
- > Answering Machine Connection
- > Automatic Fax/Tel Changeover

Specifications

Applicable Telephone Line:	Public Switched Telephone Network (PSTN)	Reception Modes:	Fax, Telephone, Tel/Fax, Answering Machine
Compatibility:	ITU-T G3	Max. Document Width:	216 mm (8.50")
Type:	Desktop Laser Facsimile	Max. Scanning Width:	210 mm (8.27")
Data Compression:	MH, MR, MMR	Max. Recording Width:	210 mm (8.27")
Memory Size:	1.8 MB Memory (approx. 100 pages)*1	Paper Capacity:	200 sheets*3
Modem speed:	14,400 to 2,400 bps automatic fallback	Paper Stack Capacity:	50 sheets
Transmission Time:	Approx. 6 seconds per page*2	Input Document Size:	A4, letter, legal
Scan Speed:	8 pages per minute*1	Automatic Document Feeder:	20 sheets maximum
Print Speed:	8 pages per minute*1	Halftone (grayscale):	64 levels
Resolution:	Horizontal: 8 pels/mm (203 pels/inch) Vertical: 15.4 lines/mm (391 lines/inch)[Superfine] 7.7 lines/mm (196 lines/inch)[Fine/Halftone] 3.85 lines/mm (98 lines/inch)[Standard]	Copy Function:	Single/Multi-copy/Sort-copy (up to 50 copies/page)
Recording System:	Laser	Power Requirements:	Rated local AC voltage and frequency
		Power Consumption:	Max. 100 W
		Dimensions (W x D x H):	With paper tray: 384 x 380 x 320 mm (15.11" x 14.96" x 12.60") Without paper tray: 384 x 327 x 173 mm (15.11" x 12.87" x 6.81")
		Weight:	Approx. 6.3 kg (13.9 lbs.)

Design and specifications are subject to change without notice. Facsimiles may not be used in countries other than those where they were purchased.

*1 Based on Sharp's standard chart at standard resolution.

*2 Based on Sharp's standard chart at standard resolution (only when ECM is on).

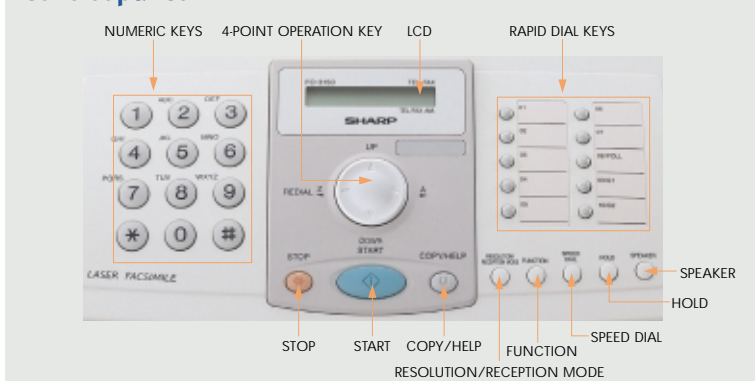
*3 20 lb. paper (70 g/m²)

Sharp Genuine Supplies for the FO-3150

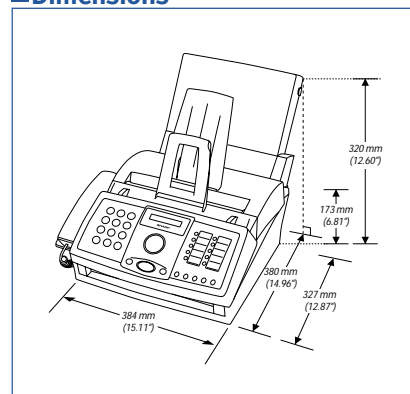
Toner Cartridge: FO-29DC

Drum Cartridge: FO-29DR

Control panel



Dimensions



SHARP

SHARP CORPORATION OSAKA, JAPAN

<http://sharp-world.com/index.html>

Distributed by: