

SHARP

UX-B30
Plain Paper Inkjet Facsimile

The Facsimile Solution You've Been Looking For



- Max. 600 dpi x 600 dpi Resolution
- Inkjet Printing
- Slender, Space-Saving Body
- 6-Second Transmission*¹
- 448 KB Memory

Bringing You High-Quo

If you're seeking a compact facsimile with the ideal balance of speed, 300 dpi x 600 dpi documents at a speedy 6 seconds per page*1, this pl in order. The sleek, low-profile UX-B30 — the smart solution for your h



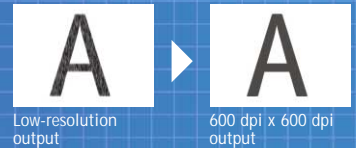
Quality Faxing Convenience

style, and quality, take a close look at the UX-B30 from SHARP. Transmitting high-quality plain paper inkjet facsimile offers the performance you need to keep your communications home or small office.

QUALITY

Max. 600 dpi x 600 dpi Resolution

For those concerned about legibility and image quality, the UX-B30 is a reliable performer. Its superb 600 dpi x 600 dpi resolution ensures that even detailed faxes are reproduced clearly and accurately.



Inkjet Printing

On an inkjet printer, the print head sweeps quickly across the paper while tiny nozzles spray ink droplets that combine as pixels to form the text or image in your fax. Inkjet printing on the UX-B30 produces reassuringly crisp, high-quality output.

• Plain Paper Printouts

The days of curled, yellowing faxes on thermal paper are at an end. The UX-B30 prints onto longer-lasting plain paper, which is both easier to annotate and easier to file away.

STYLE

Slender, Space-Saving Body

The slender profile of the UX-B30 fits in discreetly, even in smaller home or office environments. Set it up almost anywhere, and enjoy a more streamlined workspace.

• Modern Style

The UX-B30 sports a subtle, understated style to go along with its slim profile. With its elegantly neutral colour palette, it blends seamlessly with virtually any interior.

SPEED

• 6-Second Transmission*¹

The G3-compatible UX-B30 transmits faxes at a speedy 6 seconds per page. Now you can get those faxing jobs done faster and turn your attention to the next task sooner.

• 14.4 Kbps Modem Speed

The UX-B30's 14.4 Kbps modem speed (with automatic fallback) offers a convenient balance of speed and compatibility with virtually all types of phone line.

• 30-Number Auto Dialling

To save you time dialling frequently-called numbers, the UX-B30 offers an auto-dialling feature, which lets you programme up to 30 separate destinations.

CONVENIENCE

• 100-Sheet Capacity*²

Despite its slim profile, the UX-B30 boasts an impressive paper capacity of 100 sheets. From now on, you won't need to constantly refill the paper tray.

• 448 KB Memory

You needn't worry on the rare occasions that the UX-B30 is unable to print a fax immediately — for example, if the paper supply has run out. The 448 KB memory enables storage of approximately 24 pages*³ of incoming faxes.

• 4-Point Operation Key

For easy access to commonly-used functions, such as directory dialling, user settings and operational volume, the UX-B30 incorporates a handy 4-point operation key.



Specifications

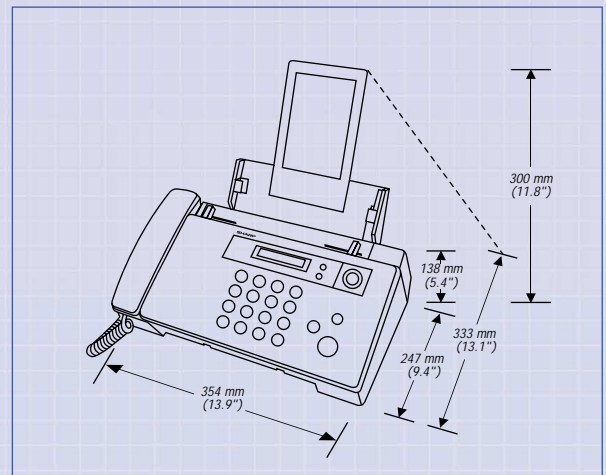
| | |
|---------------------------|---|
| Applicable Telephone Line | Public switched telephone network (PSTN) |
| Compatibility | ITU-T G3 |
| Type | Desktop facsimile transceiver |
| Data Compression | MH, MR, MMR |
| Memory Size | 448 KB memory (approx. 24 pages)*3 |
| Automatic Dialling | 30 numbers |
| Modem Speed | 14,400 bps with automatic fallback |
| Transmission Time | Approx. 6 seconds per page*1 |
| Scan Resolution | Horizontal: 8 pels/mm (203 pels/inch) Vertical: 15.4 lines/mm (392 lines/inch)[Superfine] 7.7 lines/mm (196 lines/inch)[Fine/Half-tone] 3.85 lines/mm (98 lines/inch)[Standard] |
| Print Resolution | 600 x 600 dpi |
| Print Type | Inkjet printing |
| Reception Modes | Fax, Telephone, Tel/Fax, Answering machine |
| Max. Document Width | 216 mm (8.50") |
| Max. Scanning Width | 210 mm (8.27") |
| Max. Recording Width | 203.2 mm (8.00") |
| Paper Capacity | 100 sheets*2 (A4, 80g/m ² paper) |
| Paper Size (W x L) | A4 (210 x 297 mm) |
| Input Document Size | Automatic feeding Width: 148 to 216 mm (5.8" to 8.5") Length: 140 to 297 mm (5.5" to 11.7") Manual feeding Width: 148 to 216 mm (5.8" to 8.5") Length: 140 to 600 mm (5.5" to 23.6") |
| Automatic Document Feeder | 10 sheets maximum (A4, 80g/m ² paper) |
| Halftone (Grayscale) | 64 levels |
| Copy Function | Single/Multi-copy/Sort-copy (up to 99 copies/page) |
| Power Requirements | Rated local AC voltage and frequency |
| Dimensions (W x D x H) | With paper tray: 354 x 333 x 300 mm (13.9" x 13.1" x 11.8") Without paper tray: 354 x 247 x 138 mm (13.9" x 9.7" x 5.4") |
| Weight | Approx. 3.2 kg (7.1 lbs.) |
| Supplies | Ink Cartridge (UX-C70B)*4 |

- Availability and some specifications may vary according to region.
- Design and specifications are current as of September 2004, but are subject to change without prior notice. Facsimiles may not be used in countries other than those where they were purchased.
- *1 Based on Sharp's standard No. 1 chart at standard resolution (only when ECM is on), excluding time for protocol signals (i.e., ITU-T phase C time only). Transmission speed may vary depending on the communication environment.
- *2 At room temperature: maximum stack height should not exceed the line on the paper tray.
- *3 Based on Sharp's standard No. 1 chart at standard resolution.
- *4 Max. 600 pages at 4% coverage with Quality mode off, based on Sharp's standard No. 1 chart at standard resolution.

Other Outstanding Features

- 64-Level Halftone
- Anti-Junk Fax
- Polling Function
- Serial Broadcasting
- Help Function
- ECM (Error Correction Mode)
- Transaction Report
- Answering Machine Hook-Up
- Automatic Fax/Tel Changeover

Dimensions



Distributed by: