

Put the Power of Interaction to Work with a Sharp Integrated Touch-Screen Solution



Give Offices, Shops, and Schools an Interactive Edge

The Touch-Screen LCD Monitor with

By integrating a 60-inch Sharp LCD monitor, a highly sensitive touch screen, and original user-intuitive pen software, Sharp has made the PN-L601B the ideal tool for meetings, video conferencing, presentations, corporate training, classroom lessons, and other applications where communication is key. The result is minimum effort and maximum work efficiency with this new touch-screen LCD monitor.

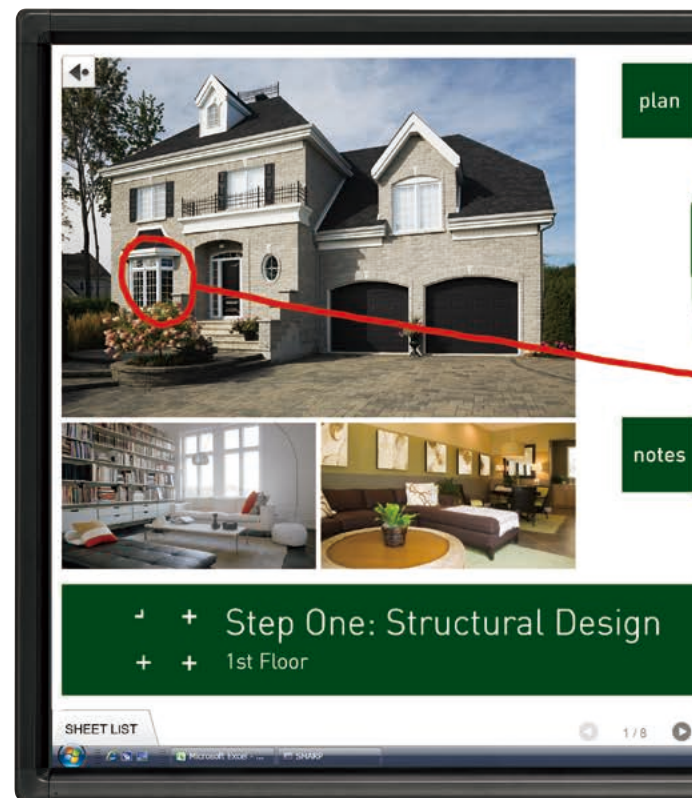
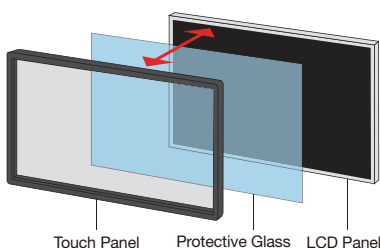
Uniformly Bright Screen with Low Energy Consumption

The PN-L601B's next-generation 60-inch LCD panel incorporates Sharp's UV²A photo-alignment technology for efficient utilisation of light and Sharp's LED backlight technology for bright, energy-efficient lighting. And because the LED elements in Sharp's full-array LED backlight are evenly positioned across the entire panel, the PN-L601B provides uniform screen brightness and easy readability, even in bright environments.



Accurate Touch-Screen Response

To minimise the perception of misalignment between on-screen images and the tip of the touch pen, Sharp decreased the space between the PN-L601B's touch screen and its LCD panel, ensuring accurate-to-the-spot writing and stress-free operation. Also, the PN-L601B employs Sharp's proprietary infrared detection system to heighten touch-screen interactivity through multiple infrared sensors that can locate the position of the touch pen with impressive accuracy.



Streamlined Communications

Connecting the PN-L601B to a Sharp MFP with colour-scanning Documents and images scanned from the MFP can be imported For added convenience, image data shown on the PN-L601B to an MFP for printout.

*Multifunctional Product

Scan a paper document with an MFP



Import the image to the display

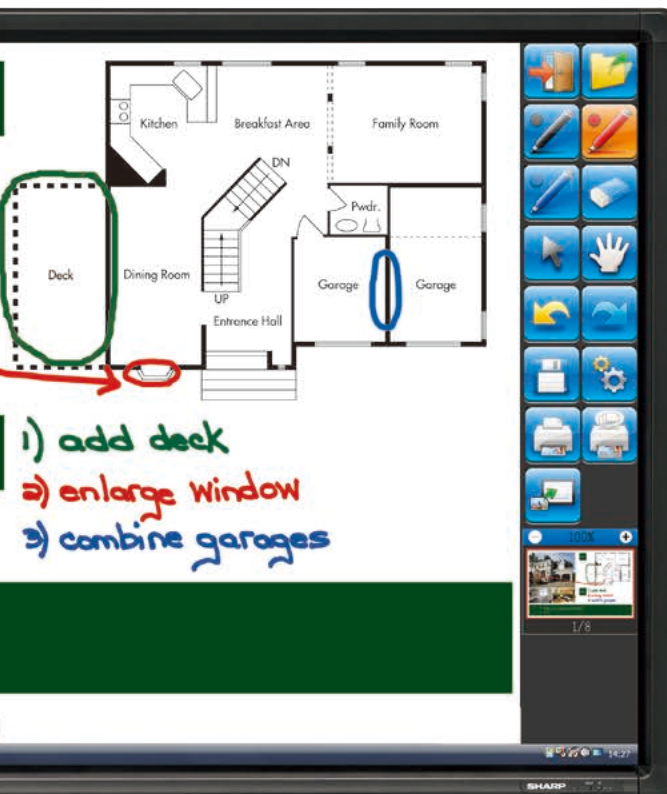


Write or draw directly on the image

Anyone-Can-Use-It Convenience

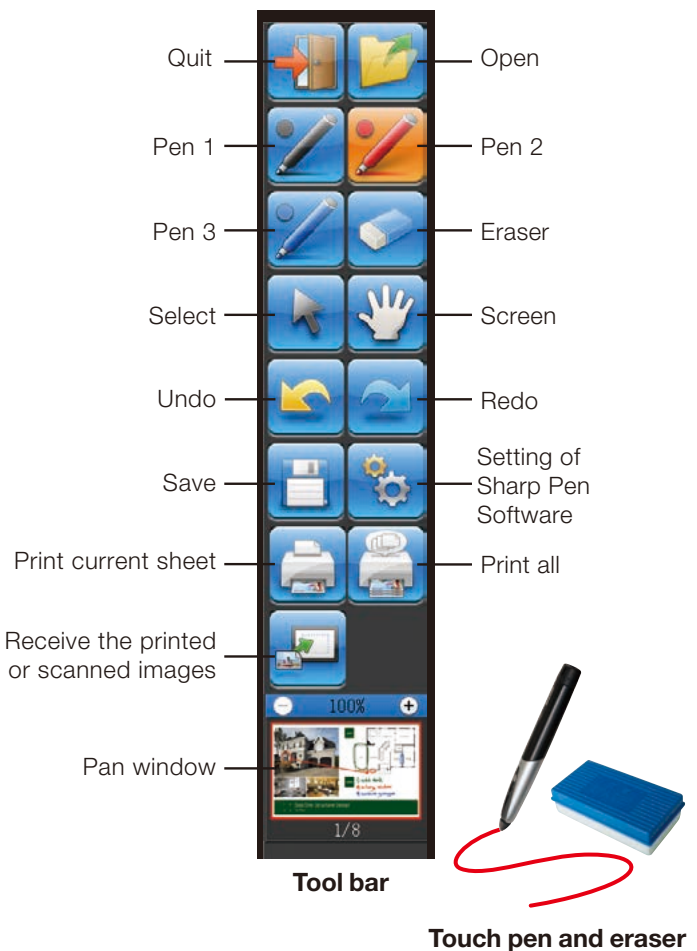
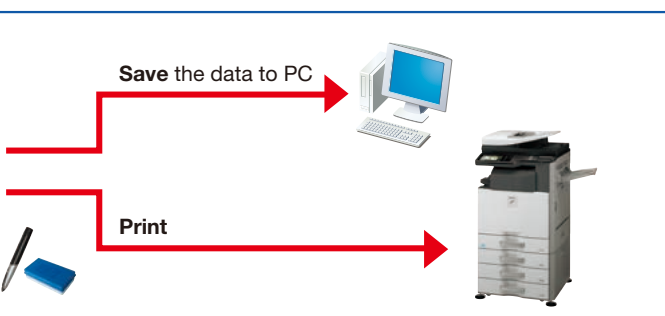
Easy-to-Use Original Pen Software

Developed specifically for the PN-L601B, Sharp's intuitive pen software allows anyone to smoothly and easily operate this touch-screen LCD monitor. This user-friendly interface also enables pen-colour and eraser selection with an efficient click of the touch pen button. Once a document has been captured as a JPEG image and displayed on the touch screen, users can write or draw directly on the screen surface using the touch pen or a finger. The image on the screen, including any handwritten annotations such as text or drawings, can be saved or exported for printout.



via Direct MFP* Connection

ing function makes for faster, smoother communications.
ed directly to the pen software for display on the PN-L601B.
—including notations—can be saved to a PC or sent directly



The Digital Signage Advantage

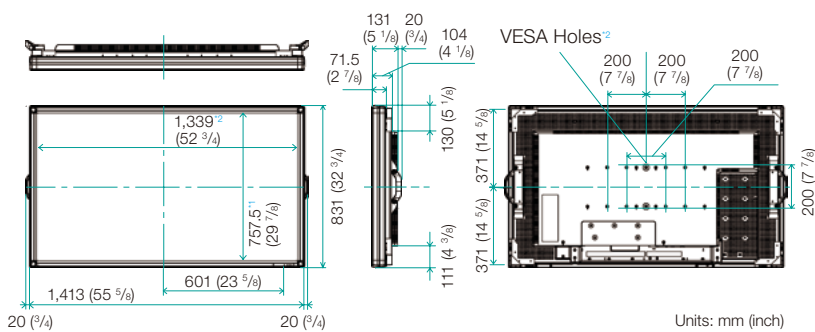


As a digital signage solution with touch-screen functions, the PN-L601B offers a convenient, high-impact way to convey information in a wide range of settings.

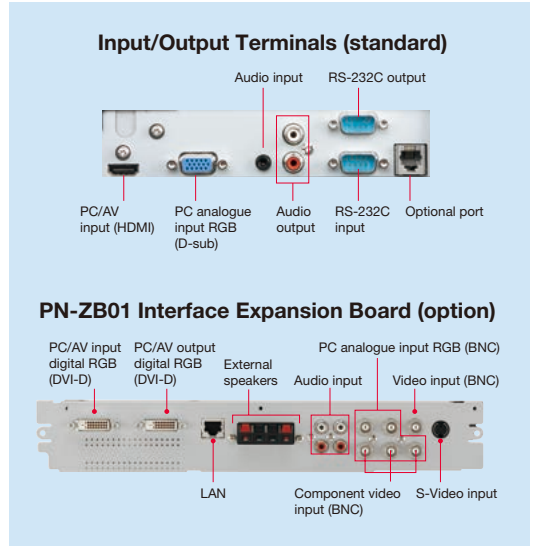
Specifications

Model name		PN-L601B
Installation		Landscape / Portrait (Pen software works with landscape installation)
LCD Panel	60-inch widescreen (152.5 cm diagonal)	
	Max. Resolution	1,920 x 1,080 pixels
	Max. Display Colours (approx.)	1,064 million colours
	Pixel Pitch	0.692 mm
	Max. Brightness*1	400 cd/m ²
	Contrast Ratio	4000 : 1
	Viewing Angle (H/V)	160°/160° (CR ≥ 10)
	Active Screen Area (W x H)	1329.1 x 747.6mm
Touch Panel	Response Time	6 ms (gray to gray, avg.)
	Touch Technology	Infrared blocking detection method
	PC Connection Port	USB (1.1 standard)
	Power Supply	PC through USB port
	Driver	OS: Windows XP (32-bit/64-bit ver.), Windows Vista (32-bit/64-bit ver.), Windows 7 (32-bit / 64-bit ver.)
Touch Pen	Protection Glass Thickness	Approx. 3.0 mm (Including AR coat for both side)
	Transportation	Ultrasonic communication method
Computer Input	Button	2 function buttons
	Video	Analogue RGB (0.7 Vp-p) [75Ω], Digital (conforms to DVI 1.0 standards)
	Synchronisation	Horizontal/Vertical separation (TTL: Positive/Negative), sync on green, Composite sync (TTL: Positive/Negative)
	Plug & Play	VESA DDC2B
Video Colour System	Power Management	VESA DPMS, DVI DMPM
	With optional PN-ZB01	NTSC (3.58MHz, 4.43MHz), PAL, PAL60, SECAM
Input Terminals	Standard	PC analogue: Mini-D-sub 15-pin x 1, HDMI x 1*2, 3.5 mm-diameter mini stereo jack x 1, RS-232C D-sub 9-pin x 1
	With optional PN-ZB01	PC digital: DVI-D 24-pin x 1, PC analogue: BNC x 1*3*4, Video: BNC x 1, S-Video x 1, Component video: BNC (Y, Cb/Pb, Cr/Pr) x 1*3, Audio: RCA pin (L/R) x 2*3
Output Terminals	Standard	Audio: RCA pin (L/R) x 1, RS-232C D-sub 9-pin x 1
	With optional PN-ZB01	PC digital: DVI-D 24-pin x 1, External speaker 10W + 10W (6Ω)
Input / Output Terminals	With optional PN-ZB01	LAN port
Power Supply		100V – 240V AC, 50/60 Hz
Power Consumption		245W
Environmental Conditions	Operating Temperature	5°C – 35°C
	Operating Humidity	20 ~ 80%RH
Dimensions (W x D x H) (approx.) (Display only)		1,413 x 131 x 831 mm (55 5/8" x 5 1/8" x 32 3/4")
Weight (not including PN-ZB01) (approx.)		51 kg (112.4 lbs)
Main Accessories		Touch pen, battery (AAA size), pen tip (for touch pen), eraser, holder, power code (approx. 3m), remote control unit and batteries (AA size x 2), CD-ROM, setup manual, stand hole protection cover x 2, vertical sticker x 2 (for operation panel & logo), blank sticker x 1, cable clamp x 2, USB cable (3.5m) x 1

*1 Brightness will depend on input mode and other picture settings. Brightness level will decrease over time. Due to the nature of the equipment, it is not possible to precisely maintain a constant level of brightness.
 *2 For both PC and AV component.
 *3 The analogue and component BNC terminals can be switched via the menu.
 *4 Does not support plug&play.



*1 Screen size
 *2 To use the VESA-standard mounting bracket, use M6 screws that are 8 to 10 mm plus the thickness of the bracket.



Design and specifications are subject to change without prior notice.



Distributed by: