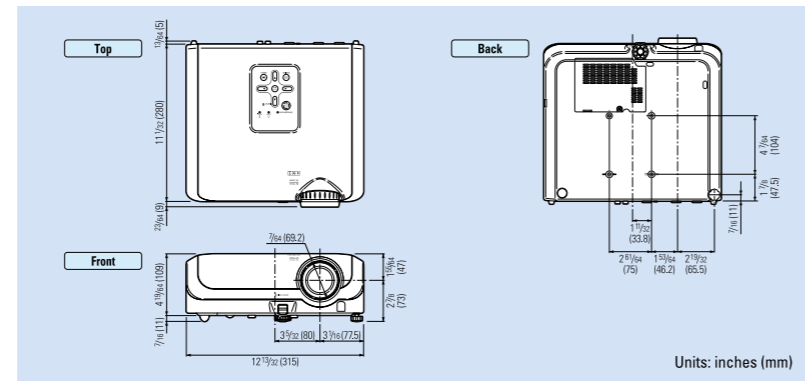


DT-510



**Dimensions**



**Optional Accessories**

Lamp	Adaptor	Cable	Ceiling Mounts
<b>AN-XR10L2</b>	<b>AN-A1RS</b> DIN-D-sub RS-232C adaptor 5 5/16" (15 cm)	<b>AN-C3CP2</b> 3-RCA to 15-pin D-sub cable 10' (3 m)	<b>AN-TK201</b> For high ceiling installation  <b>AN-60TK</b> Installation adaptor

Note: Some of the optional accessories may not be available depending on the region. Please check with your nearest Sharp Authorized Projector Dealer or Service Center.

**Specifications**

Model	DT-510
Device	0.62" DLP® Chip (1,280 x 720)
Horizontal resolution	720 TV lines (DTV 720P input), 520 TV lines (video input)
HDTV compatibility*1	1080i (in intelligent compression), 720P, 576P, 576i, 480P, 480i
Computer RGB input signals	XGA, SVGA, VGA, Mac 19"/16"/13"
Video color systems	NTSC/NTSC4.43/PAL/PAL(60Hz)/PAL-M/PAL-N/SECAM
Lens	1:1.15 manual zoom and focus
Projection size	40" – 300"
Projection distance	9'11" – 11'6" (3.0 – 3.45 m) for 16:9 wide 100" screen
Luminance	1,000 ANSI Lumen (in High-Brightness Mode)
Contrast ratio	4,000:1 (in High Contrast Mode)
Input terminals	3RCA (component) x 2, RCA video x 1, S-video x 1, HD-15 (RGB/component) x 1 HDMI (digital video component & RGB) x 1
Power source	AC 100-240 V, 50/60 Hz (multi-voltage)
Power consumption	303 W (standby 4.0 W) with AC 100 V
Fan noise	33 dB (Standard Mode), 29 dB (Low Power Mode)
Projection lamp	220 W (SHP)
Lamp life*2	3,000 hours (Low Power Mode)
Dimensions (W x H x D)	12 13/32" x 4 47/64" x 11 37/64" (315 x 120 x 294 mm) (including adjuster legs and lens), 12 13/32" x 4 19/64" x 11 1/32" (315 x 109 x 280 mm) (main body only)
Weight	8.8 lbs. (4.0 kg) (including adjuster legs and lens)
Supplied accessories	Lens cap, power cord, back light remote control

Design and specifications are current as of December 2006, but are subject to change without notice.

\*1 High Definition Television (HDTV) Monitor: Defined by CEA (Consumer Electronics Association, USA) to designate a 16:9 aspect ratio monitor or display with active vertical scanning lines of 720 progressive (720p) and higher.

\*2 The lamp life may vary depending on the usage condition.

\* DLP® and the DLP logo are registered trademarks of Texas Instruments.

**SHARP**

DT-510  
High-Definition DLP® Home Theater Projector

High-Definition DLP® Projector Provides High 4000:1 Contrast Ratio and Expands Home Theater Entertainment!



(Europe only)

**SHARP**  
SHARP CORPORATION OSAKA, JAPAN  
URL <http://www.sharp-world.com/>

# 4000:1 Superb Contrast Ratio with High-Brightness, High-Quality Picture Reproduction Plus DLP® High-Reliability Performance



## Cutting-Edge DLP® Technology Provides High-Quality Picture



### 4000:1 High-Contrast Images

Employing a thoroughly developed optical engine with the reflective device of DLP® chip that can prevent light from coming through by controlling mirror angles, the DT-510 enhances fine, detailed differences between darkest and lightest colors and provides superior black level reproduction. Real blacks and clearly reproduced and subtle colors provide impressively beautiful pictures.

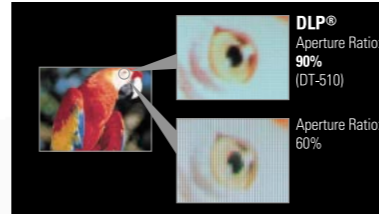
4000:1 High-Contrast Image



### DLP® Digital Image

The DT-510 utilizes the DLP® chip from Texas Instruments with a resolution of 1,280 x 720. Using this chip, each pixel is individually composed of one of over a half a million micromirrors to produce a high resolution, and the micromirrors lie at an instance of merely one micron, providing a seamless finely detailed picture. Also, high-speed on/off switching delivers smooth moving scenes.

High-Resolution Seamless Image Comparison



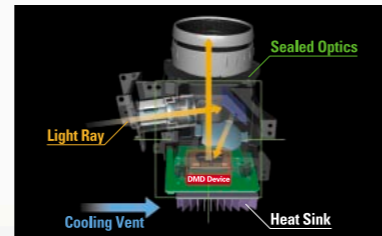
### Native 720p High Definition Capability

The DT-510 provides high-quality images from DVD, HDTV and DTV (480P, 720P, 1080i, with 4:3 and 16:9 aspect ratios) by receiving RGB signals and component signals (Y, PB, PR).



### Sealed Optics

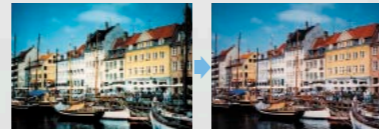
The optical mechanism of DLP® system projectors is sealed in its structure, preventing dust, dirt and smoke from entering core parts of the optics. The system also needs no filter and less maintenance, resulting in lower cost of ownership and longer use.



### Long-Life High-Performance DLP® Picture

With DLP® technology minimally absorbing high-output light, the projectors maintain uniform color reproduction capability for a long period of time. Also, DLP® chip formation with finely structured mirrors provides stable performance and delivers high-quality pictures for longer periods. The DLP® chip in the DT-510 contributes to a long lifespan. In addition, because there is no burn-in or remaining afterimage, the projectors are ideal for still picture projection such as for guidance board applications and projecting CAD images.

DLP® projection

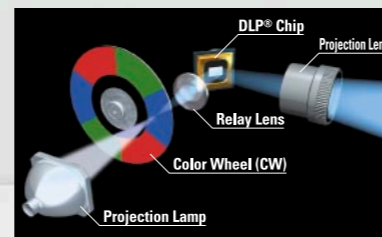


After 4,100 hours (The picture shows no significant deterioration even after using the DLP® chip 4,100 hours.)

\* By RIT/Munsell Color Science Laboratory Test

### 5x Speed Color Wheel

The color wheel capable of 5x speed (by rotating the color wheel with 6-part color at 2.5x speed) renders color breaking imperceptible to the human eye.



### 1000 ANSI Lumen in High Brightness Mode

Incorporating Sharp optoelectronics technology, the DT-510 provides 1000 ANSI lumen brightness in high brightness mode to enjoy large-screen pictures.

## High-Quality Digital Connection

### HDMI Terminal

Use of HDMI terminals, the interface for digital content, delivers all-digital projection from input straight through to the projected picture without picture loss, which usually occurs from A/D and D/A conversion or from digital cinemas using DLP®.

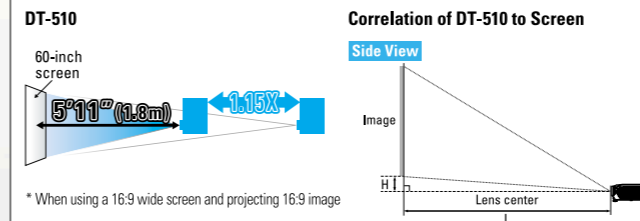


Rear Terminals

## Home Theater Performance and Convenience

### Short Throw Lens (Optical 1.15x Zoom Lens)

The newly developed Short Throw Lens achieves 60-inch large screen projection even from the short distance of 5'11" (1.8 m)\*. In addition, the projector can be mounted more flexibly with the 1.15x zoom lens.



\* When using a 16:9 wide screen and projecting 16:9 image

### Screen Size and Projection Distance

Diag. (inches)	Screen size		Projection distance (L)		Distance from the lens center to the bottom of the image (H)
	Width	Height	Minimum	Maximum	
200	174" (443 cm)	98" (249 cm)	19'10" (6.0 m)	22'11" (7.0 m)	14 1/64" (36 cm)
100	87" (221 cm)	49" (125 cm)	9'11" (3.0 m)	11'6" (3.5 m)	7 1/64" (18 cm)
60	52" (133 cm)	29" (75 cm)	5'11" (1.8 m)	6'11" (2.1 m)	4 13/64" (11 cm)
40	35" (89 cm)	20" (50 cm)	4'0" (1.2 m)	4'7" (1.4 m)	2 51/64" (7 cm)

### SIDE BAR Mode (4:3)

Diag. (inches)	Screen size		Projection distance (L)		Distance from the lens center to the bottom of the image (H)
	Width	Height	Minimum	Maximum	
200	160" (406 cm)	120" (305 cm)	24'3" (7.4 m)	28'1" (8.6 m)	17 5/32" (44 cm)
100	80" (203 cm)	60" (152 cm)	12'1" (3.7 m)	14'0" (4.3 m)	8 37/64" (22 cm)
60	48" (122 cm)	36" (91 cm)	7'3" (2.2 m)	8'5" (2.6 m)	5 9/64" (13 cm)
40	32" (81 cm)	24" (61 cm)	4'10" (1.5 m)	5'7" (1.7 m)	3 7/16" (9 cm)

### Color Management System (C.M.S.)

Independently controls color hue, chrome and brightness for the six RGBCMY colors (red, green, blue, cyan, magenta and yellow), enabling users to match the image quality to their preferences.



### Back-lit Remote Control and Easy-to-Use Operation Buttons

The back light buttons and intuitive button layout make remote control smooth and easy even in dark rooms.



Control Panel

### Other Outstanding Features

- BrilliantColor™ Function
- High-Powered 220 W Lamp with a long 3000-hour life
- Digital Keystone Correction "Geometric Adjustment"
- Color Temperature Adjustment
- Gamma Correction Function
- Low Fan Noise: 29 dB (Low Power Mode)

